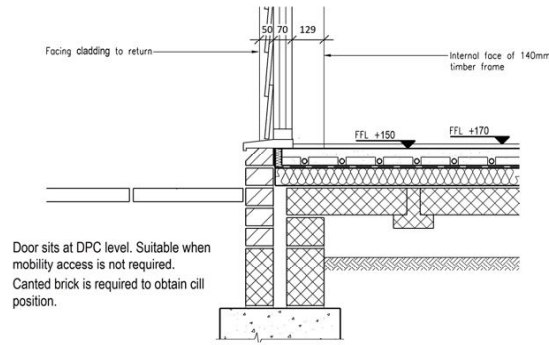


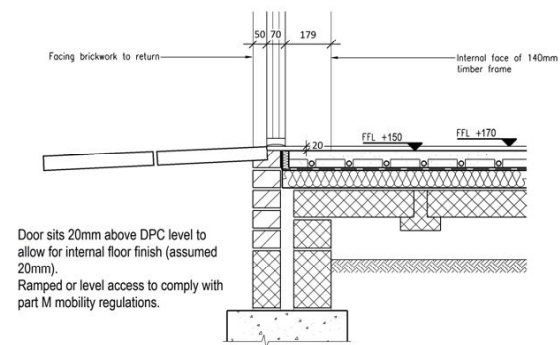
Door sits at DPC level. Suitable when mobility access is not required.

**1. Typical UPVC Door Threshold Detail - Cill & Brick Exterior**  
scale 1:10



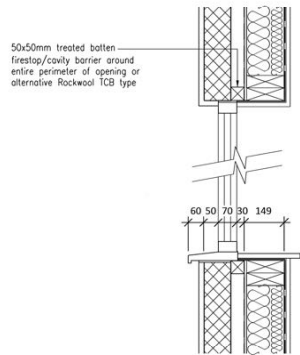
Door sits at DPC level. Suitable when mobility access is not required. Canted brick is required to obtain cill position.

**2. Typical UPVC Door Threshold Detail - Cill & Cladding Exterior**  
scale 1:10

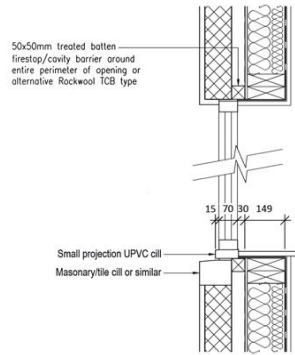


Door sits 20mm above DPC level to allow for internal floor finish (assumed 20mm). Ramped or level access to comply with part M mobility regulations.

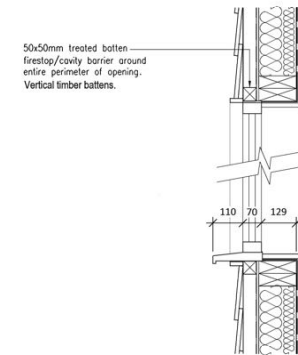
**3. Typical UPVC Door Flush Threshold Detail - No Cill**  
scale 1:10



**4. Typical UPVC Window Detail - Standard Cill & Brick Exterior**  
scale 1:10



**5. Typical UPVC Window Detail - Masonry Cill**  
scale 1:10



**6. Typical UPVC Window Detail - Cill & Cladding Exterior**  
scale 1:10

Notes:  
Dimensions and levels shown are to be checked before work commences.  
All building work is to comply with current Building Regulations & British Standards and to manufacturers specifications if noted.  
All structural elements shown are a guide only and are to be verified by a Structural Engineer and/or Building Control Authorities prior to construction.

Rev	Date	Description	By

Solo Timber Frame  
The Old Dairy, Hodore Farm, Hartfield,  
East Sussex TN7 4AR  
Tel No.: 01892 771354  
enquiries@solo-timberframe.co.uk  
www.solo-timberframe.co.uk

Copyright in this drawing and work executed in and remains the property of Solo Timber Frame and its subsidiaries in accordance with the provisions of the Copyright Act. Permission to produce copies or modify drawings in whole or in part for any purpose shall be obtained from Solo Timber Frame and any such reproduction shall include this and the foregoing statement.

Project

Drawing Title

**UPVC Door/Window Details**

Scale	Date	Drawn	Checked
1:10 @ A1			
Drawing No.			Rev

